



MODEL: PM400
Capacity: 4 Ton



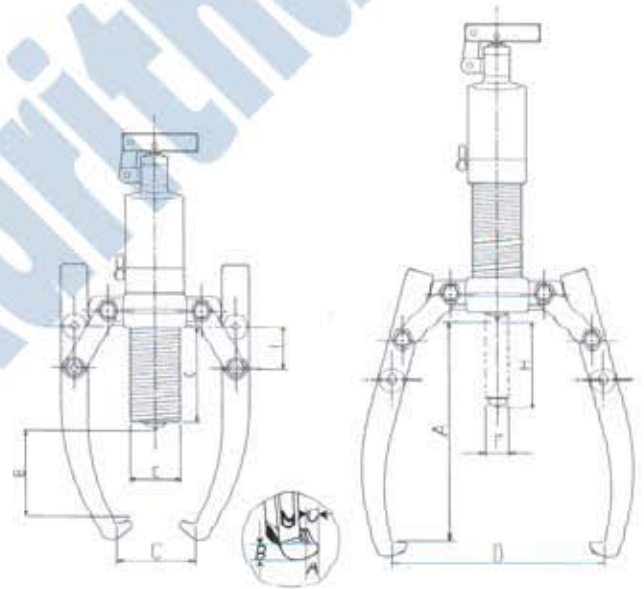
MODEL: PM800
Capacity: 8 Ton



MODEL: PM1200
Capacity: 12 Ton

FEATURES:

- 1 Four stages of foldable & removable handle saves the handle force during operation.
- 2 360° Rotary Socket.
- 3 Self-contained hydraulic pump and puller body with integral safety valve.
- 4 Heat treated & chrome plated hydraulic cylinder rod provides linear force.
- 5 Easily release valve.
- 6 Spring loaded live centering nut for easy job (removable).
- 7 2/3 jaws combination puller cross head with manganous-phosphate plated for rust proof and durability.
- 8 Heat treated forged alloy steel cross bolts & jaws with manganous-phosphate plated for rust proof and long life service.



CAPACITY	MODEL NO.	REACH (mm)		SPREAD (mm)		STROKE (mm)	PUMP TIP (mm)			JAW TIP (mm)				WEIGHT (Kg)
		A	B	C	D		H	E	F	G	A	B	C	
4Ton	PM400	185	70	75	255	60	42	22	84	11	6	22	32	4.5
8Ton	PM800	229	57	100	350	85	50	25	122	11	10	25	51	6.5
12Ton	PM1200	269	103	90	375	85	60	28	118	14	10	29	51	8.0