



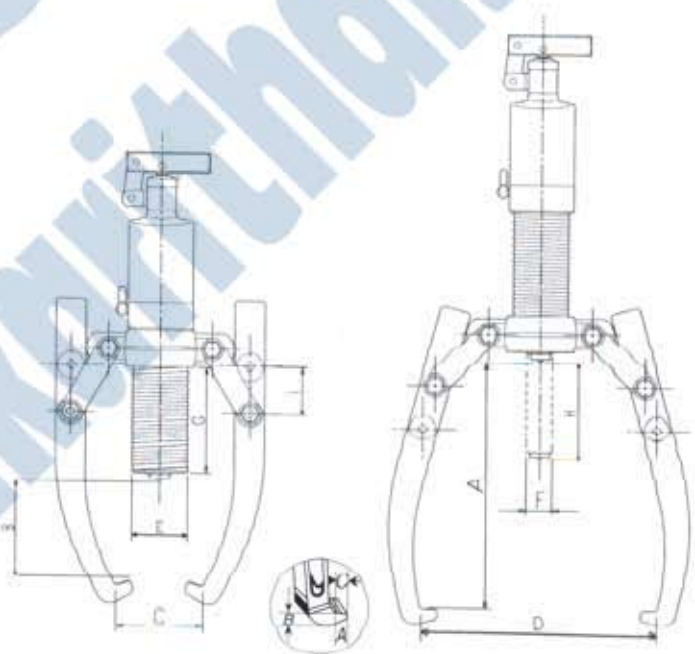
MODEL: PM2000
Capacity: 20 Ton



MODEL: PM3000
Capacity: 30 Ton

FEATURES:

- 1 Four stages of foldable & removable handle saves the handle force during operation.
- 2 360° Rotary Socket.
- 3 Self-contained hydraulic pump and puller body with integral safety valve.
- 4 Heat treated & chrome plated hydraulic cylinder rod provides linear force.
- 5 Easily release valve.
- 6 Spring loaded live centering nut for easy job (removable).
- 7 2/3 jaws combination puller cross head with manganous-phosphate plated for rust proof and durability.
- 8 Heat treated forged alloy steel cross bolts & jaws with manganous-phosphate plated for rust proof and long life service.
- 9 Patent Pending design of two stages stroking, the first stage being as fast stroking for quickly connecting with object, and the second stage being as high hydraulic output for pulling job.



CAPACITY	MODEL NO.	REACH (mm)		SPREAD (mm)		STROKE (mm)	PUMP TIP (mm)			JAW TIP (mm)				WEIGHT (Kg)
		A	B	C	D		H	E	F	G	A	B	C	
20Ton	PM2000	360	190	210	520	111	80	40	161	20	27	33	60	22
30Ton	PM3000	360	190	225	550	111	98	50	155	20	27	38	60	32