



MODEL: PM410
Capacity: 4 Ton



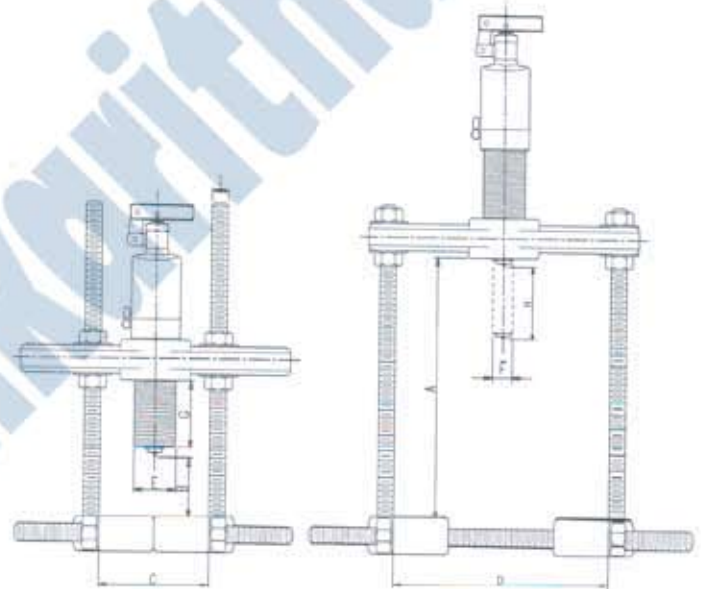
MODEL: PM810
Capacity: 8 Ton



MODEL: PM1210
Capacity: 12 Ton

FEATURES:

- 1 Four stages of foldable & removable handle saves the handle force during operation.
- 2 360° Rotary Socket.
- 3 Self-contained hydraulic pump and puller body with integral safety valve.
- 4 Heat treated & chrome plated hydraulic cylinder rod provides linear force.
- 5 Easily release valve.
- 6 Spring loaded live centering nut for easy job (removable).
- 7 2 jaws puller cross head with manganous-phosphate plated for rust proof and durability.
- 8 Heat treated, chrome plated & alloy steel stud for rust proof and free reach.
- 9 Impact set including available size of bearing attachment for great and safety job.



CAPACITY	MODEL NO.	REACH (mm)		SPREAD (mm)		STROKE (mm)	PUMP TIP (mm)			JAW TIP (mm)				WEIGHT (K0)
		A	B	C	D		H	E	F	G	A	B	C	
4Ton	PM410	250	-	55	110	60	42	22	84	-	-	-	-	8.5
8Ton	PM810	270	-	95	220	85	50	25	122	-	-	-	-	12.5
12Ton	PM1210	381	-	120	290	85	60	28	118	-	-	-	-	18.0