



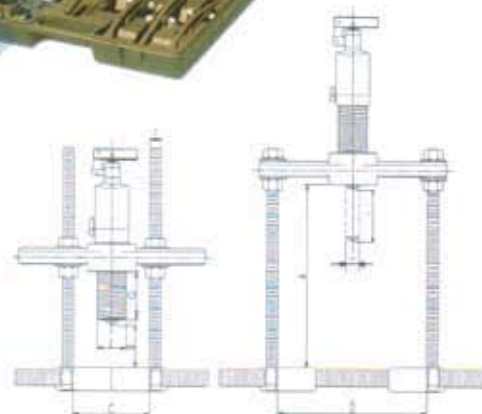
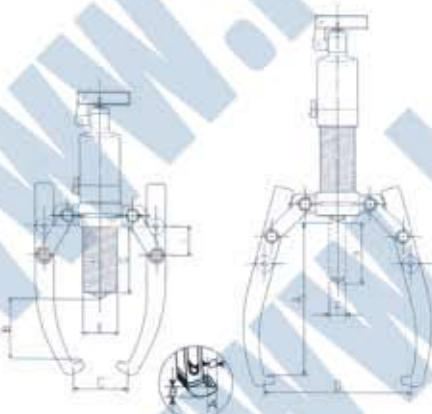
MODEL: PM420
Capacity: 4 Ton

MODEL: PM820
Capacity: 8 Ton

MODEL: PM1220
Capacity: 12 Ton

FEATURES:

- 1 Special package model includes 2/3 jaws puller and 2 jaws puller with attachment in one set.
- 2 Ideal impact package with light PE case for carrying.
- 3 One complete set with two kinds of puller for user's convenience always.



| CAPACITY | MODEL NO. | REACH (mm) | | SPREAD (mm) | | STROKE (mm) | PUMP TIP (mm) | | | JAW TIP (mm) | | | | WEIGHT (Kg) |
|----------|-----------|------------|-----|-------------|---------|-------------|---------------|----|-----|--------------|----|----|----|-------------|
| | | A | B | C | D | | H | E | F | G | A | B | C | |
| 4Ton | PM420 | 185/250 | 70 | 75/55 | 255/110 | 60 | 42 | 22 | 84 | 11 | 6 | 22 | 32 | 4.5/8.5 |
| 8Ton | PM820 | 229/270 | 57 | 100/95 | 350/220 | 85 | 50 | 25 | 122 | 11 | 10 | 25 | 51 | 6.5/12.6 |
| 12Ton | PM1220 | 269/381 | 103 | 90/120 | 375/290 | 85 | 60 | 28 | 118 | 14 | 10 | 29 | 51 | 8.0/18.0 |