

SEPARATE HYDRAULIC PULLERS

POWERRAM



MODEL: PR400
Capacity: 4 Ton



MODEL: PR800
Capacity: 8 Ton



MODEL: PR1200
Capacity: 12 Ton



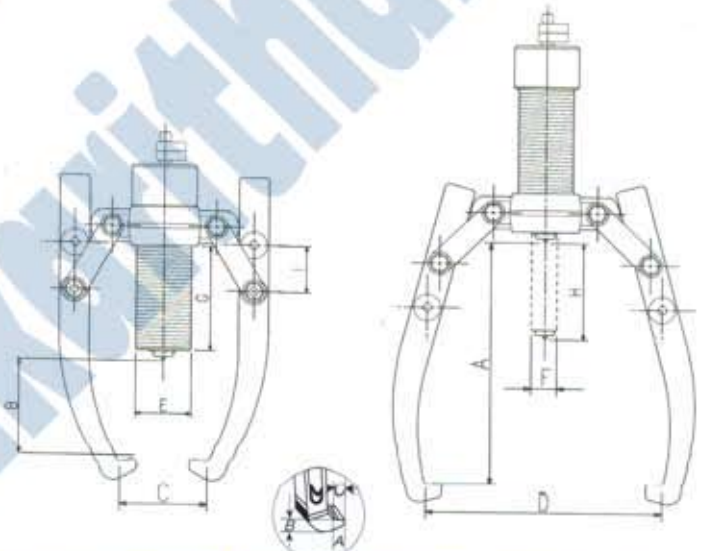
MODEL: PR2000
Capacity: 20 Ton



MODEL: PR3000
Capacity: 30 Ton

FEATURES:

- 1 Heat treated & chrome plated hydraulic cylinder rod provides linear force.
- 2 Easily release valve.
- 3 Spring loaded live centering nut for easy job (removable).
- 4 2/3 jaws combination puller cross head with manganous-phosphate plated for rust proof and durability.
- 5 Heat treated forged alloy steel cross bolts & jaws with manganous-phosphate plated for rust proof and long life service.
- 6 Patent Pending design of two stages stroking, the first stage being as fast stroking for quickly connecting with object, and the second stage being as high hydraulic output for pulling job.



CAPACITY	MODEL NO.	REACH (mm)		SPREAD (mm)		STROKE (mm)	PUMP TIP (mm)			JAW TIP (mm)				WEIGHT (Ka)
		A	B	C	D		E	F	G	A	B	C	I	
4Ton	PR400	185	70	75	255	60	42	22	84	11	0	22	32	9.5
8Ton	PR800	229	57	100	350	85	50	25	122	11	10	26	51	11.5
12Ton	PR1200	269	103	90	375	85	60	28	118	14	10	29	51	14.0
20Ton	PR2000	360	190	210	520	111	80	40	161	20	27	33	60	20
30Ton	PR3000	360	190	225	550	111	98	50	155	20	27	38	60	30

PR2000 & PR3000 are available to use with Air / Hydraulic Pump (AP911) also.